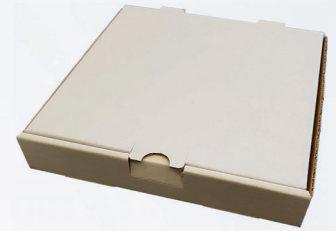


VBPZ10DW

10" Pizza Box, White Out / Kraft In



Specifications and Packaging

CHARACTERISTICS

VALUES

Size (in)	10 x 10 x 1.75
Unit Weight (g)	99
Material Type	Corrugated
Shape	Square
Printed	No
PFAS Free	Yes
UPC Outer	10840064624821
Case Pack	50
Case Dimensions (in)	22.75 x 13.78 x 4.72
Cubic Feet/Case	0.85
Case Weight (lbs)	10.89

125 Madill Blvd.
Mississauga, ON, L5W 0H1, Canada

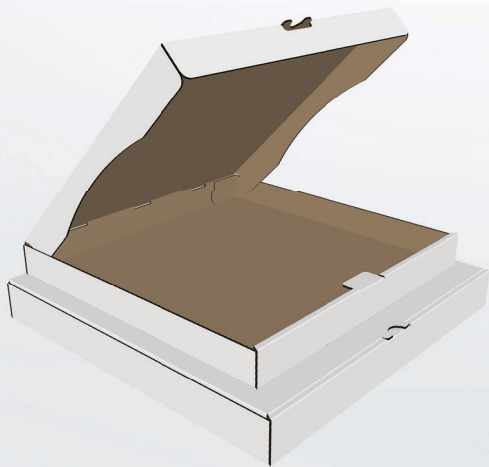
© 2024 Imperial Dade Canada. All rights reserved. Victoria Bay is a registered trademark of Imperial Bag & Paper. While we believe them to be reliable, the statements and information herein are only for general guidance and are not warrants or guarantees for accuracy and completeness. The user must, by test or otherwise, determine suitability for this purpose. There is no warranty of fitness for a particular purpose. Our standard terms and conditions of sale apply exclusively to all orders and all liability for damages of any kind, including consequential, exceeding purchase price is excluded. No one is authorized by us to make oral warranties. We reserve the right to make changes without notice or obligation in our products and publications.

PIZBOXVBPZ10DW0424CAEN

Elevate your brand with Victoria Bay Pizza Boxes, where excellence in quality, style, and functionality effortlessly combine.

- Pristine white exterior for standout branding and Kraft interior for durability and grease resistance.
- The Board grade ensures strength for easy transportation, keeping pizzas hot and ready for customer pickup or delivery.
- Easily assembled for efficient preparation.
- Locking feature prevents the lid from being opened unintentionally, ensuring pizza security during transit.
- Sturdy construction yet lightweight for easy handling by your staff.

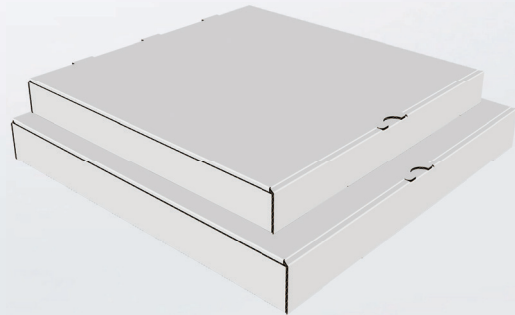
White Out / Kraft In



10" | 10" x 10" x 1.75" | Square

Case Qty: 50

Item #: [342003](#) | [VBPZ10DW](#)



12" | 12" x 12" x 1.75" | Square

Case Qty: 50

Item #: [342004](#) | [VBPZ12DW](#)

14" | 14" x 14" x 1.75" | Square

Case Qty: 50

Item #: [342005](#) | [VBPZ14DW](#)

16" | 16" x 16" x 1.75" | Square

Case Qty: 50

Item #: [342006](#) | [VBPZ16DW](#)

[Click on product code to access the Technical Data Sheet.](#)

PIZBOX0424CAEN

For more information please contact your sales representative